

## **BEVERAGE COOLER SC125VBC**



**To ensure proper use of this appliance and your safety, please read the following instructions completely before operating this appliance**



## Contents

1- General information	3
2- Technical data	4
3- Installation	4
4- Maintenance	5
5- Trouble shooting	6
6- Wiring diagram	7
7- Exploded view	8
8- Spare parts list	9



## **1- General information**

### **Foreword**

The purpose of this document is to provide important information regarding the installation, use and maintenance of the cooler. Before any operation, you should read carefully the information contained in this manual. The manufacturer assumes no liability for parts or labor coverage for component failure or other damages resulting from improper usage, installation of failure to clean and/or maintain product as set forth in these instructions.

### **General use**

#### **Warning :**

The cooler is not designed for external (outdoor) placement or environments that subject it to the actions of atmospheric agents (rain, direct sun light).

The manufacturer is not responsible for damages resulting from the improper use of the product.

### **Risk of fire / flammable materials**

The cooler is shipped ready for use. The temperature control is preset from the factory. As needed, the temperature control can be adjusted Clock-wise to make the product "Colder", the control can be adjusted Counter Clockwise to make the product "Warmer."

Ensure that the electrical outlet is connected effectively to earth (ground), suitable to provide the voltage indicated on the data plate.

Make sure that the cooler is placed on a level surface.



## 2- Technical data

### Materials and refrigerants

Interior or exterior surfaces that come into contact with the products are made of powder coated, chrome, aluminum or non-toxic plastic materials.

The refrigerant used is approved by government regulations. The type and quantity of the gas charged, in the refrigeration unit, is indicated on the data plate.

Product : SC125VBC

Dimensions : 403x455x1790mm

Volume : 150L But ; 134.5L Net

Gaz : R600a

Digital thermostat

Temperature : +2 / +8°C

Energy class: C

## 3- Installation

For safe proper operation, follow the manufacturer's instructions reported in this section.

The cooler must be placed in an adequately ventilated room. Keep away from heat sources, such as radiators or air conditioning pipes. Allow free air circulation to the refrigerator unit.

Keep the cooler at an ambient temperature.



## Electrical connection

**Warning** : Do not use extension cords

The cooler works on single-phase voltage (220-240V/50Hz) power supply.

To switch on the cooler, insert the plug into the outlet.

Ensure that : The electrical outlet must be provided with an efficient ground, the voltage and the frequency of the electrical line matches those indicated on the data plate. If unsure about the efficiency of the ground, have your electrical circuit checked by a qualified technician. When the cooler is operating, check that the supply voltage is not dropping or increasing under/over 10% the rated voltage (187V to 242V).

### LED light replacement

- Unplug the cooler or cut off power before removing the light
- Use a screwdriver to take out the screw
- Remove LED light
- Replace with a new LED board that is the same shape and size
- Install the LED light and tighten screw

## 4- Maintenance

Before cleaning the cooler, always remember to unplug it. Never pull the service cord. Do not use sharp objects for cleaning. Clean the inside cabinet of the cooler with a clean damp cloth or with neutral soap. Avoid damage by never using abrasive or flammable cleaning products. Clean the condenser at least once a month with a vacuum cleaner or a brush to eliminate dust accumulation. Do not wash the cooler with direct, or high pressure water jets.



## 5- Trouble shooting

Often problems that occur during normal operation can be resolved without the assistance of a specialized technician, verify the following :

### **The appliance does not operate :**

- Check that the plug is correctly into the electrical outlet.
- Verify that there is voltage at the electrical outlet

### **The product is too warm :**

- Check the setting of the thermostat
- Check the closing of the door, and ensure door gasket seals
- Check that the interior fan is operating, and not blocked
- Check and clean the condenser

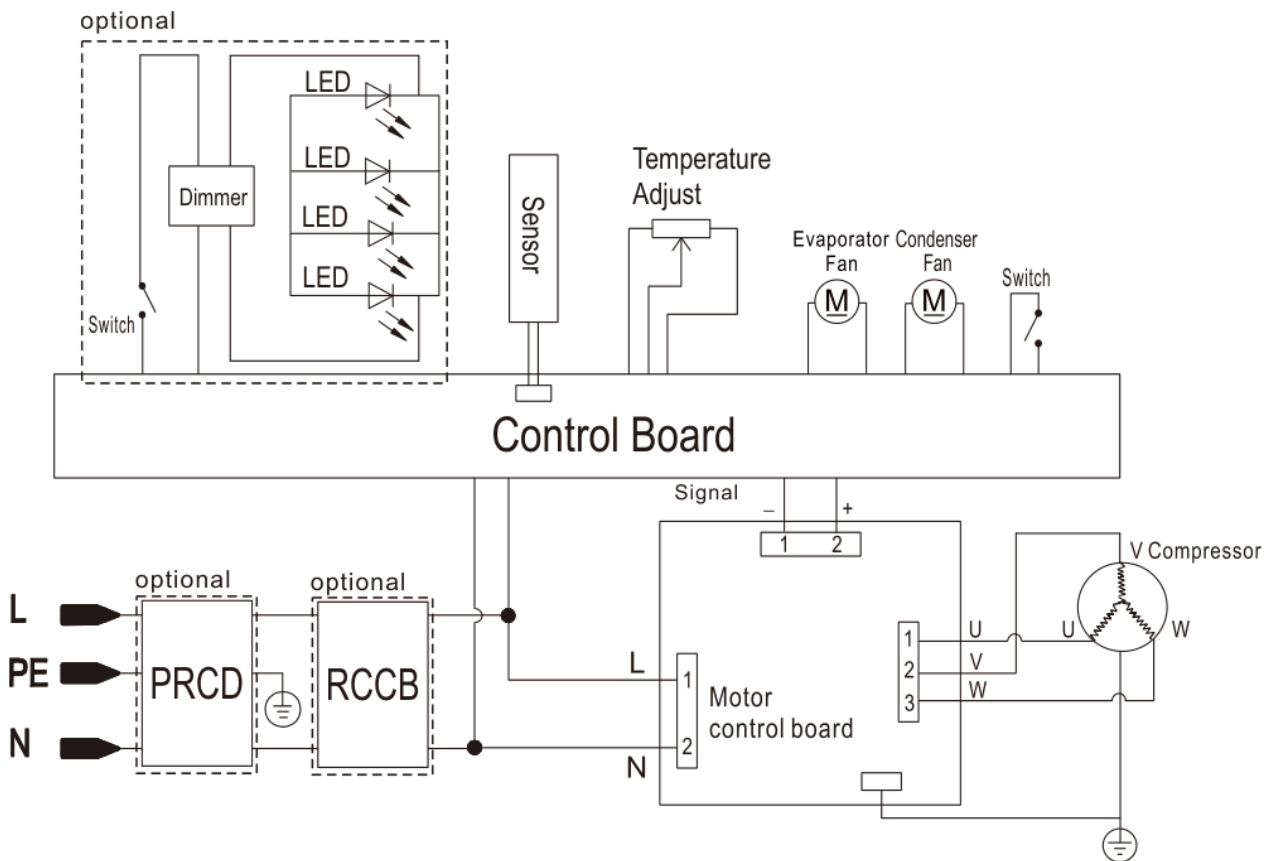
### **The appliance is excessively noisy :**

- Verify the equipment is level
- Ensure that the equipment is not touching other equipment that could cause vibration

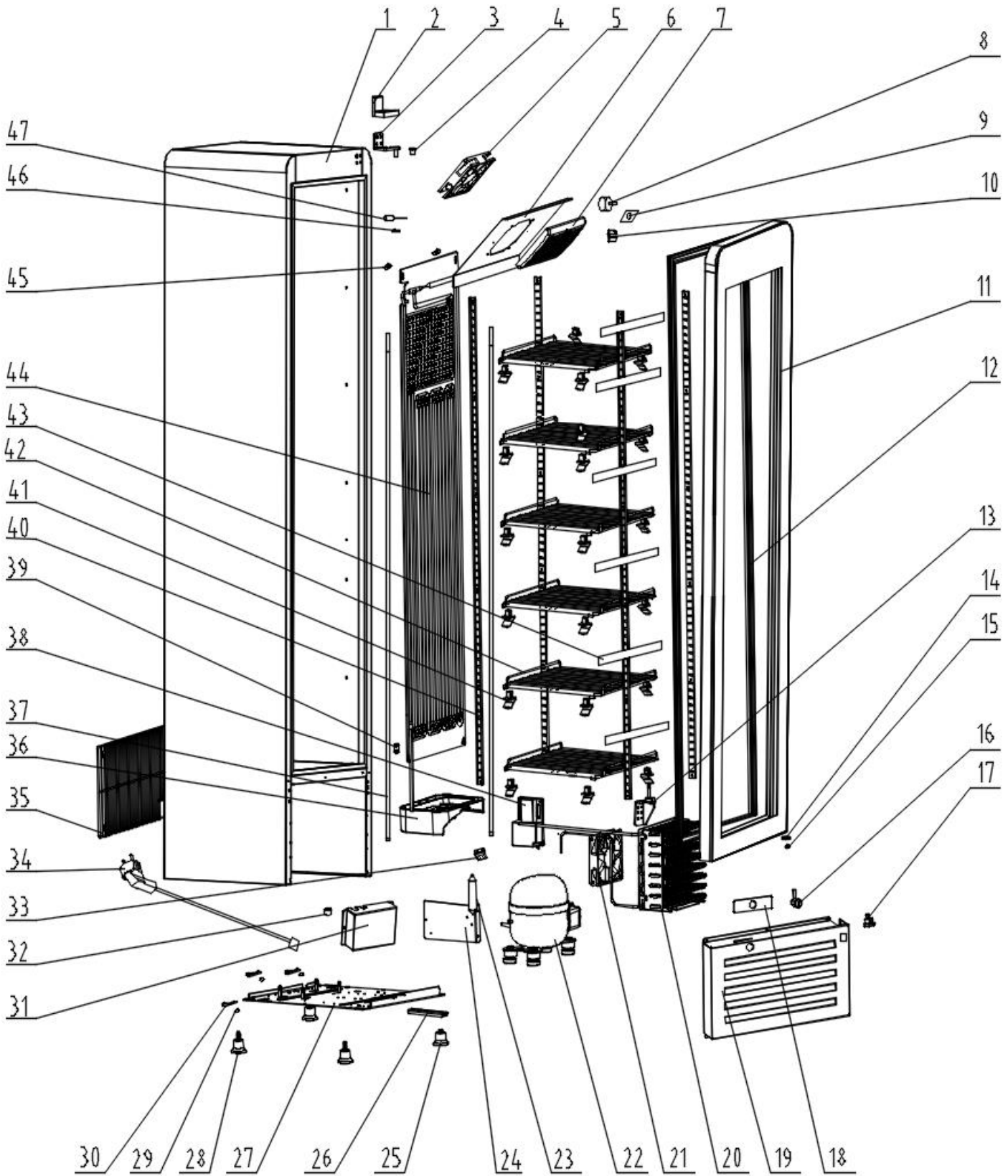
Prepare to answer the following :

- The type of problem (electrical, mechanical)
- The model, coder and serial number of the cooler can be found on the manufacturer label attached to the interior wall of the cooler.

## 6- Wiring diagram



### 7- Exploded view







## 8- Spare parts list

Numéro	Parts name in English	Nom	Code	Quantité	Pièces d'usure
1	Forming Cabinet	Corps de vitrine à boisson	/	1	
2	Upper Door Axis Cover	Cache charnière supérieure de porte	130308006390102001	1	
3	Upper Door Axis	Charnière supérieure de porte	07020000289	1	
4	Upper Door Bushing	Douille supérieure de porte	11090000116001	1	
5	Evaporator Fan	Ventilateur de l'évaporateur	04010100261	1	√
6	Evaporator Board	Couvercle de l'évaporateur	130305006110102001	1	
7	Fan Cover	Grille ventilateur	11110000167001	1	
8	Potential Device	Dispositif de potentiel	02040000184	1	√
9	Thermostat Tag	Etiquette thermostat	10020300085	1	
10	Potential Device Fixing Board	Support du dispositif de potentiel	13030500096	1	
11	Glass Door	Porte vitrée	02010001368001	1	√
12	Door Seal	Joint d'étanchéité de porte	11120000845	1	√
13	Down Door Axis	Charnière inférieure de porte	07020000288	1	
14	Door Spacing	Espacement de porte	130308006400102001	1	
15	Down Door Bushing	Douille inférieure de porte	11090000072001	1	
16	Lock	Serrure	07070000051	1	
17	LED Switch	Interrupteur LED	05140000048001	1	
18	Lock Plate	Plaque de verrouillage	13030501547	1	
19	Ventilation Grill	Grille ventilateur	130307003410102001	1	
20	Condenser	Condenseur	14010000162001	1	
21	Condenser Fan	Ventilateur de condenseur	04010100262	1	√
22	Compressor	Compresseur	04070200070	1	
23	Filter	Filtre	14030300003	1	
24	Power Cord Fixing Board	Plaque de fixation du cordon d'alimentation	13030500838	1	
25	Front Feet	Pieds avant	07040000018001	1	
26	Feet Reinforcement	Renforts pieds	13031100094	1	
27	Compressor Panel	Couvercle compresseur	13030502403	1	
28	Feet	Pieds arrière	07040000111001	3	
29	Snap Ring Pad	Coussinet de circlip	06080100039	3	
30	Snap Ring	Circlip	06100000015	3	
31	Electric Box Cover	Couvercle boîtier électrique	13030100056	1	
32	Φ22 Wire Ring	Anneau de fil électrique diamètre 22mm	11040000004	3	
33	Power Cord Fixing Clip	Clip de fixation du cordon d'alimentation	11020000028001	1	
34	Power Cord	Cordon d'alimentation	04020200014010101	1	
35	Back Cover	Grille arrière	15040000060001	1	
36	Water Drip Box	Bac récupérateur d'eau	11110000570	1	
37	LED Mounted In Door Frame	LED dans le cadre de porte	02040000527	2	√
38	Main Control Board	Panneau de contrôle principal	04040320258	1	√
39	Evaporator Silicone Cap	Capuchon en silicone pour évaporateur	11090000345001	1	
40	Shelf Rail	Glissières	07120000067001	4	
41	Shelf Fixer	Fixation des étagères	07030000049	24	
42	Shelf	Grilles étagères	15010000147001	6	
43	Price Tag	Support prix	11120000507	6	
44	Evaporating Panel	Évaporateur	14020000527001	1	
45	Evaporating Panel Mat	Vis panneau de ventilation	11090000099001	8	
46	Wiring Knob	Bouton de câblage	11070000034	1	
47	Sensor	Capteur de température	05200000104	1	√



## STANDARDS AND DIRECTIVES

### Meaning of crossed out wheeled dustbin :

Do not dispose of electrical appliances as unsorted municipal waste, use separate collection facilities.

Contact your local government for information regarding the collection systems available. If electrical appliances are disposed of in landfills or dumps, hazardous substances can leak into the groundwater and get into the food chain, damaging your health and well-being.

When replacing old appliances with new ones, the retailer is legally obliged to take back your old appliance for disposal at least free of charge.

The device complies with current EU standards and directives. If necessary, we will send you the corresponding declaration of conformity.

### Packaging disposal

Please separate the packaging materials accordingly and return them to the responsible collection points for recycling and environmental housing.





CE